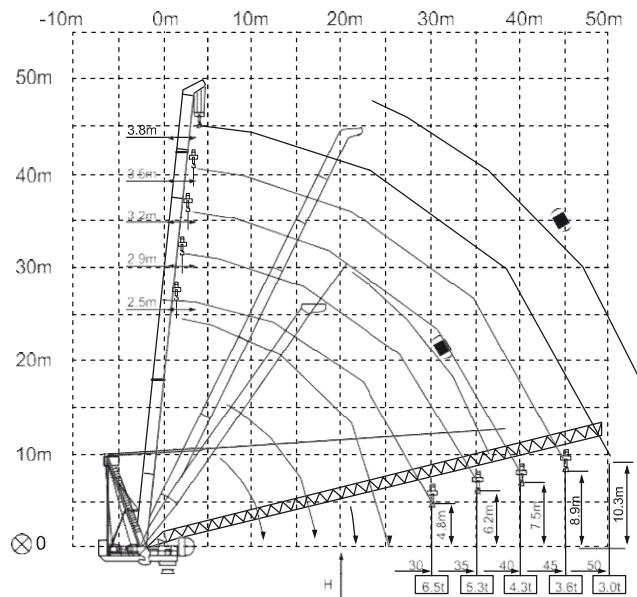
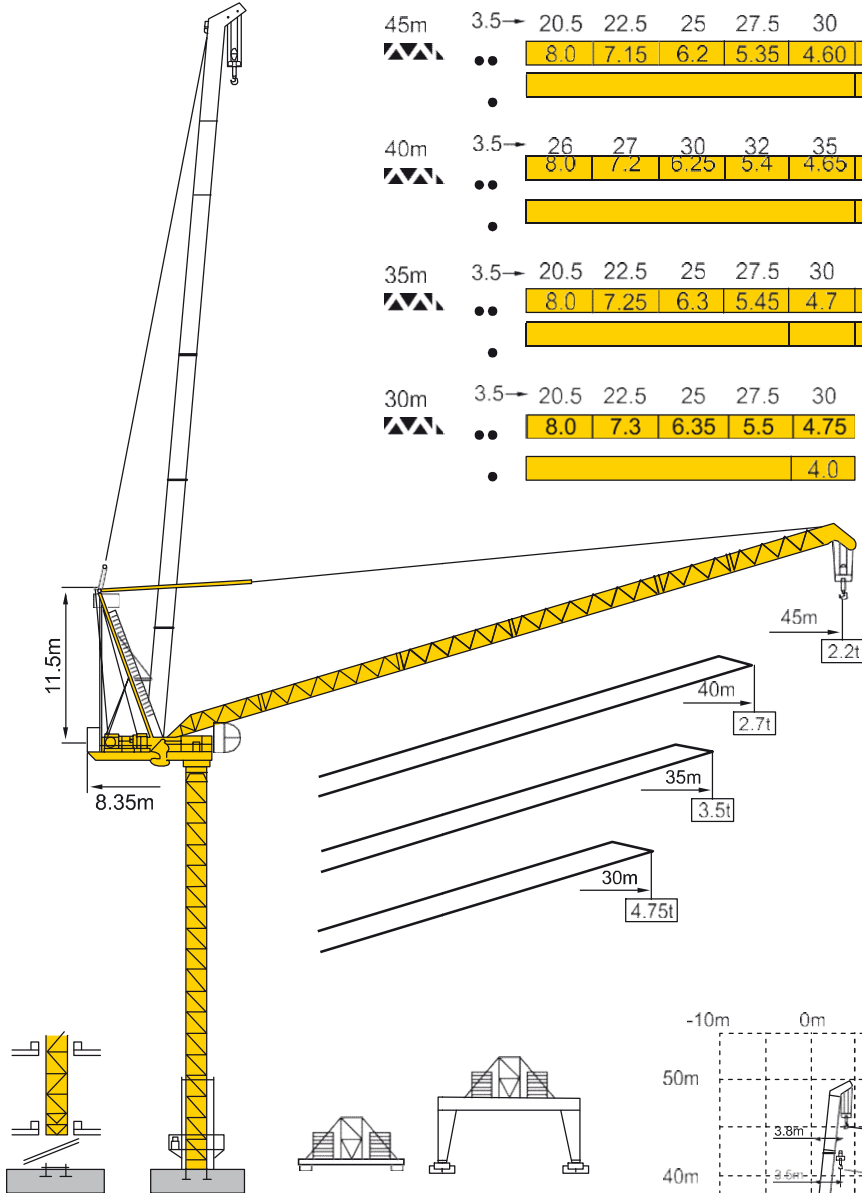


PETRA MODEL LUFFING 50/10

Load Diagrams / Yük Diyagramları

45m	3.5	20.5	22.5	25	27.5	30	32.5	35	37.5	40	42.5	45	m
▲▲▲	●●	8.0	7.15	6.2	5.35	4.60	3.95	2.40	2.95	2.60	2.35	2.2	t
●							4.0	2.95	2.40	2.60	2.35	2.2	t
40m <th>3.5</th> <th>26</th> <th>27</th> <th>30</th> <th>32</th> <th>35</th> <th>37</th> <th>40</th> <th>37</th> <th>40</th> <th>m</th>	3.5	26	27	30	32	35	37	40	37	40	m		
▲▲▲	●●	8.0	7.2	6.25	5.4	4.65	4.0	3.45	3.0	2.65	t		
●							4.0	3.45	3.0	2.65	t		
35m	3.5	20.5	22.5	25	27.5	30	32.5	35	m				
▲▲▲	●●	8.0	7.25	6.3	5.45	4.7	4.05	3.5	t				
●							4.0	3.5	t				
30m	3.5	20.5	22.5	25	27.5	30	m						
▲▲▲	●●	8.0	7.3	6.35	5.5	4.75	t						
●						4.0	t						

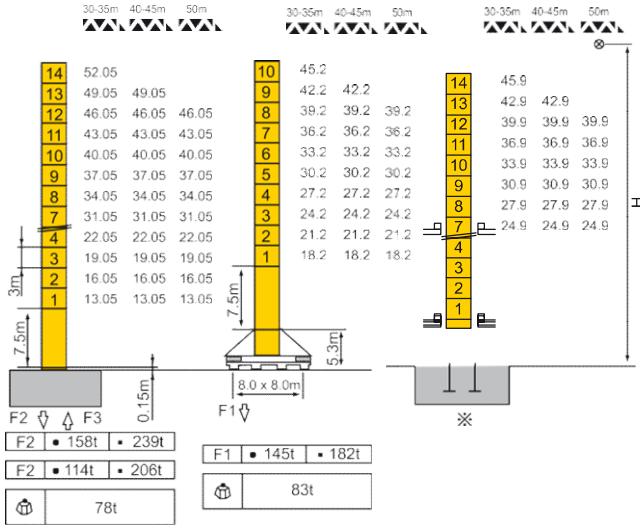


■ Weather Vaning Position / Rüzgar Dayanma Pozisyonu.

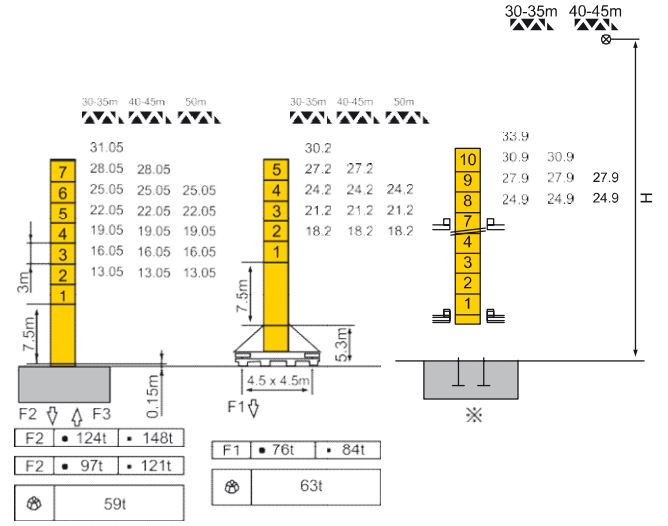
⊗ Jib Hinge Shaft / Bom Destek Şaftı

PETRA MODEL LUFFING 50/10




Mast: 2m x 2m



Mast: 1.6m x 1.6m



Reactions / Reaksiyonlar	<ul style="list-style-type: none"> ● In service / Çalışır Durumda ■ Out of Service / Servis Dışı 	 Self-Load / Kendi Ağırlığı	Without load and counter-weight / Yüksüz ve Kuyruk Ağırlığı With longest jib and standart height / En Uzun Bomlu ve Standart Yükseklikte
--------------------------	--	--	---

Mechanism / Mekanizma			●	●●		kw				
Hoisting Kaldırma	70RCS 25	m/min	42	84	21	42	486	51.5		
		t	5	2.5	10	5				
	55LVF	m/min	0 - 50	0 - 100	0-150	0 - 25	0 - 50	0 - 75	55	Optional Winch / Opsiyonel Vinç
		t	5	2.5	1.25	10	5	2.5		
Luffing	70RCS50	m/min	3					51.5		
	55VF	min	3					55	Optional Winch / Opsiyonel Vinç	
Slewing Dönüş	OMD85	r/min	0-0.8					8.8 x 2		
	RCV145	r/min	0-0.8					145x2Nm	Optional Winch / Opsiyonel Vinç	
Trolleying Hareketli Şaryo	RT443	m/min	15-30					3.7 x 2		
 Power Supply / Güç Kaynağı			380v 50Hz / 440v 60Hz							
 Necessary Electric Power / Gereken Elektrik Gücü			RCS:17 0KVA LVF:✳							

